

1

2

3

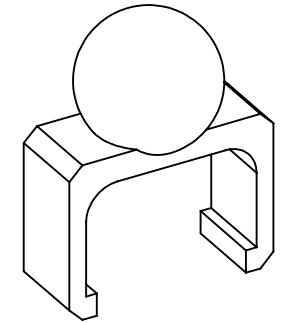
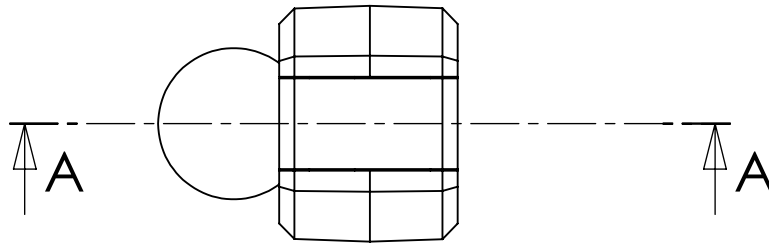
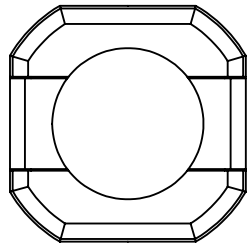
4

5

6

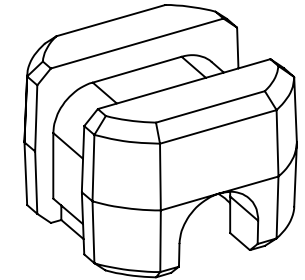
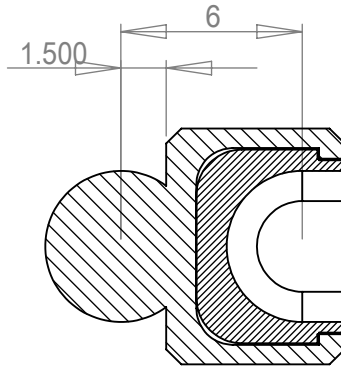
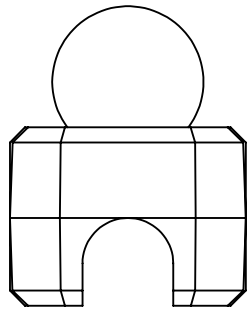
A

A



B

B



C

C

断面图 A-A

D

UNLESS OTHERWISE SPECIFIED: DIMENSIONS ARE IN MILLIMETERS SURFACE FINISH: TOLERANCES: LINEAR: ANGULAR:				FINISH:		DEBUR AND BREAK SHARP EDGES		DO NOT SCALE DRAWING		REVISION	
								TITLE:			
DRAWN				SIGNATURE		DATE					
CHK'D											
APPV'D											
MFG											
Q.A						MATERIAL:		DWG NO.			
								Idea_056_assemble↑ ⁴			
						WEIGHT:		SCALE:4:1		SHEET 1 OF 1	

1

2

WEIGHT:

SCALE:4:1

SHEET 1 OF 1